

Introduction

Rolta's Engineering Design Services Group provides SmartPlant Enterprise deployment services globally. Rolta has dedicated team of SmartPlant Electrical specialists who provide SmartPlant Electrical Services. SPEL electrical data import, SPEL data creation, SPEL engineering deliverables creation & SPEL As-built updating assistance.

Services Offered

- SmartPlant Electrical data import from 3rd party databases or spreadsheets
- SmartPlant Electrical data creation from engineering deliverables
- Creation of engineering deliverables from SmartPlant Electrical data
- As-built updating of SmartPlant Electrical Data
- SmartPlant Electrical seed creation
- Automation assistance
- SmartPlant Electrical data Audit of EPC handover data
- Consulting / Custom training / On-site assistance

Inputs Requirement

Inputs required for SmartPlant Electrical services:

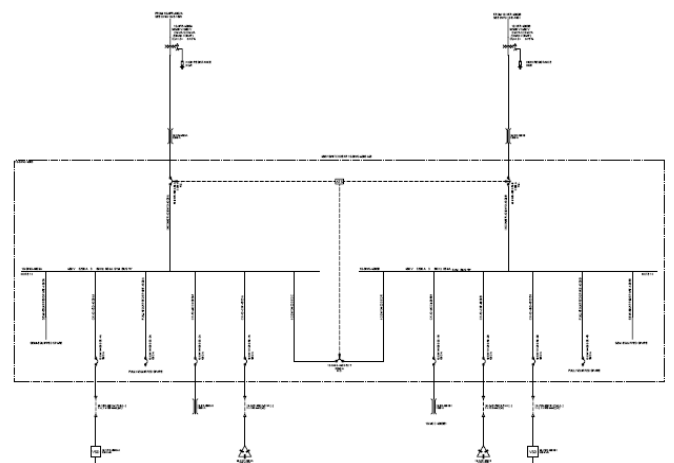
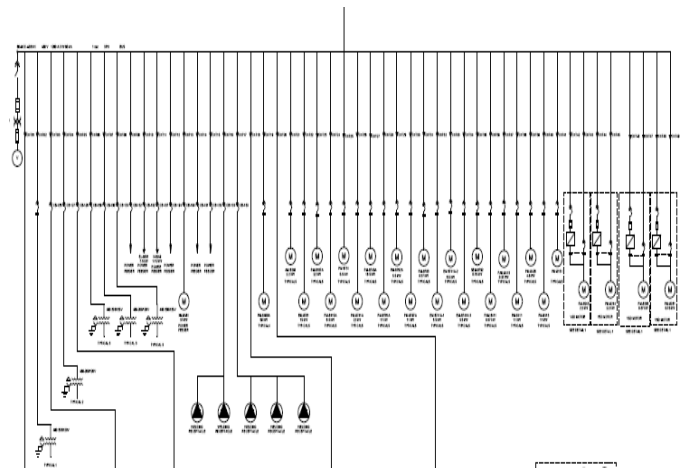
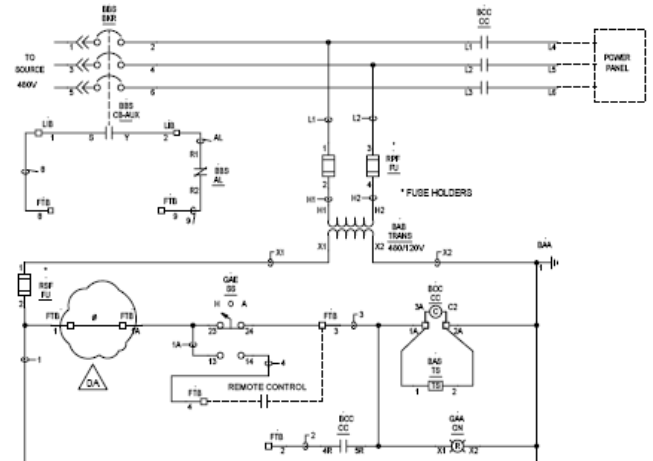
- Engineering standards
- Engineering documents / drawings
- Electronic tabular data
- Electrical standard reports
- Electrical Legends
- Vendor data / catalogs

Rolta Key Differentiators

- Trained & experienced electrical engineers
- Project proven team
- Can ensure rapid turnover of project
- Well set work processes that ensure timely delivery & quality

Benefits to Customer

- Receives good quality SmartPlant Electrical data
- Reduce Lead time to deploy SmartPlant Electrical on live Project
- Minimize SmartPlant Electrical deployment cost
- Accurate project deliverables
- Can minimize cost in handing over SmartPlant Electrical data



Rolta Customers

- NPCIL, India
- Aker Solutions
- Yansab : Technip & Fluor
- GE Aero, USA